

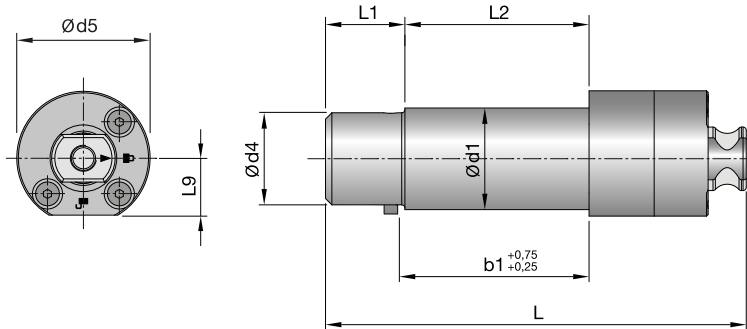


SN45540

Steckbolzen QuickPin

Pad Retainer Pin

12

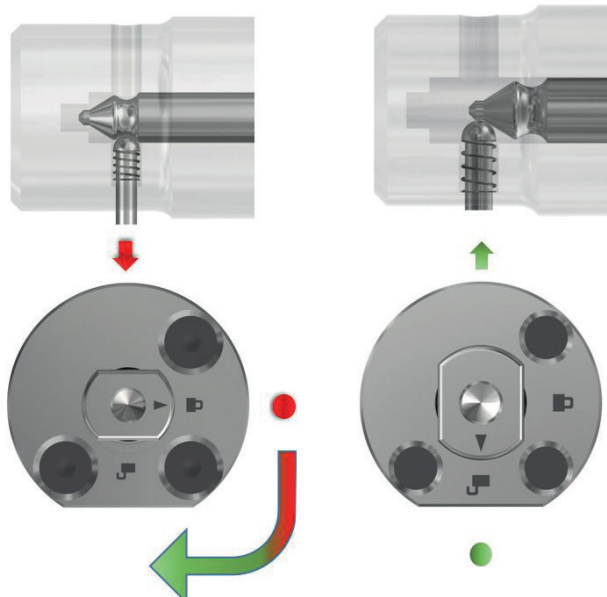


Mat.: 42CrMo4

Norm: PSA-E24.55.265
STLA 065.90.130



Typ	d1	L2	b1	d4	d5	L	L1	L9	kg	Norm	Order No.
PSA	25	62	63	23	42	130.0	19	18.0	300	PSA-E24.55.265	SN45540-PSA-25-62
PSA	25	79	80	23	42	147.0	19	18.0	300	PSA-E24.55.265	SN45540-PSA-25-79
PSA	32	77	80	30	42	152.5	26	18.0	500	PSA-E24.55.265	SN45540-PSA-32-77
PSA	32	122	125	30	42	197.5	26	18.0	500	PSA-E24.55.265	SN45540-PSA-32-122
PSA	40	99	100	38	52	181.5	33	22.0	750	PSA-E24.55.265	SN45540-PSA-40-99
PSA	40	159	160	38	52	241.5	33	22.0	750	PSA-E24.55.265	SN45540-PSA-40-159
PSA	50	124	125	48	62	226	41	27.0	1250	PSA-E24.55.265	SN45540-PSA-50-124
PSA	50	179	180	48	62	281	41	27.0	1250	PSA-E24.55.265	SN45540-PSA-50-179
PSA	63	159	160	61	73	271	51	33.5	2500	PSA-E24.55.265	SN45540-PSA-63-159
PSA	63	199	200	61	73	311	51	33.5	2500	PSA-E24.55.265	SN45540-PSA-63-199
PSA	80	159	180	78	93	271	51	41.0	4000	PSA-E24.55.265	SN45540-PSA-80-159
STLA	40	88	89	39	52	176.5	39	22.0	750	STLA 065.90.130	SN45540-STLA-40-88
STLA	50	108	109	49	62	212	43	27.0	1250	STLA 065.90.130	SN45540-STLA-50-108
STLA	63	125	126	60	73	231	45	33.5	2500	STLA 065.90.130	SN45540-STLA-63-125





SN45540

Steckbolzen QuickPin

Pad Retainer Pin

