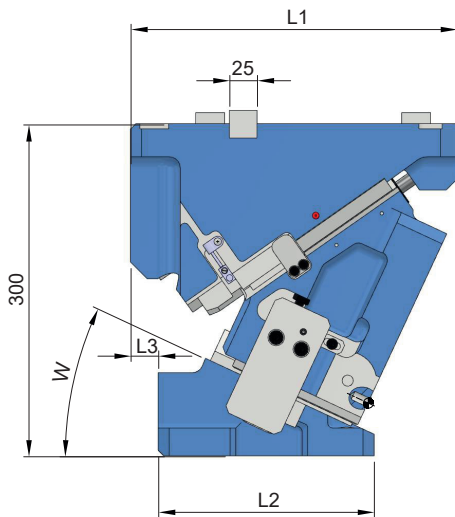


SN5650-PMO-0180-

Oben hängender Schieber

Aerial cam unit

| | | |
|----------------------------|----------------------------|--------------|
| Arbeitsfläche | <i>Working area</i> | 180 x 151 mm |
| Schieberbreite max. | <i>Cam unit width max.</i> | 180 mm |
| Einbauhöhe | <i>Installation height</i> | 300 mm |
| Schieberkraft | <i>Cam force</i> | > 411 kN |



Gusstoleranzgrad CT
nach DIN ISO 8062

(blau = Rohgussfläche)

Casting tolerance grade CT
according to DIN ISO 8062

(blue = raw casting area)

**Positionskontrolle:
Control of position:**



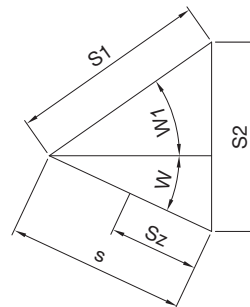
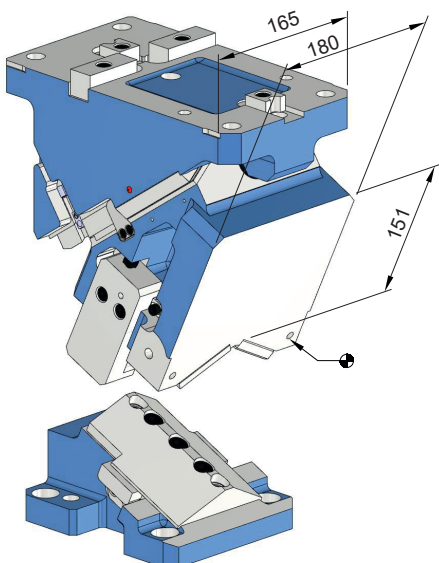
Pos. 1

Schieber zusammengefahren
Cam is moved together



Pos. 2

Schieber ausgefahren
Cam is extended



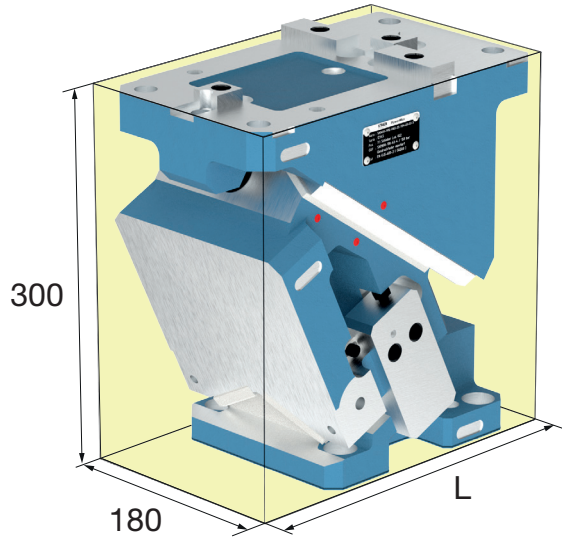
Sz = Eingriffslänge Aktivrückzug

Sz = Engagement length of activ return

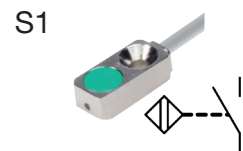
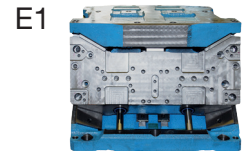
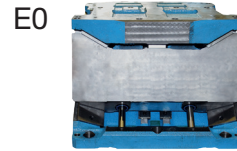
SN5650-PMO-0180-

Oben hängender Schieber

Aerial cam unit



Mat.: EN-GJS-600-3 (GGG 60)



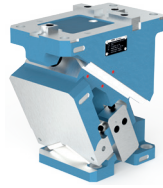
W = Schieberwinkel
Cam Angle

E = Einarbeitung
Machining

G = Gasdruckfeder
Gas spring

SE = Sensor
Sensor

| W | E | G | SE | L | W1 | s | S1 | S2 | Sz | L1 | L2 | L3 | No. |
|-----|----|----|----|-----|----|------|----|------|----|-----|-----|----|---------------------------------|
| 0° | E0 | G0 | S0 | 280 | 47 | 35.5 | 52 | 38 | 16 | 280 | 235 | 40 | SN5650-PMO-0180-00-E0-G0-S0-V04 |
| 0° | E0 | G0 | S1 | 280 | 47 | 35.5 | 52 | 38 | 16 | 280 | 235 | 40 | SN5650-PMO-0180-00-E0-G0-S1-V04 |
| 0° | E0 | G1 | S0 | 280 | 47 | 35.5 | 52 | 38 | 16 | 280 | 235 | 40 | SN5650-PMO-0180-00-E0-G1-S0-V04 |
| 0° | E0 | G1 | S1 | 280 | 47 | 35.5 | 52 | 38 | 16 | 280 | 235 | 40 | SN5650-PMO-0180-00-E0-G1-S1-V04 |
| 0° | E1 | G0 | S0 | 280 | 47 | 35.5 | 52 | 38 | 16 | 280 | 235 | 40 | SN5650-PMO-0180-00-E1-G0-S0-V04 |
| 0° | E1 | G0 | S1 | 280 | 47 | 35.5 | 52 | 38 | 16 | 280 | 235 | 40 | SN5650-PMO-0180-00-E1-G0-S1-V04 |
| 0° | E1 | G1 | S0 | 280 | 47 | 35.5 | 52 | 38 | 16 | 280 | 235 | 40 | SN5650-PMO-0180-00-E1-G1-S0-V04 |
| 0° | E1 | G1 | S1 | 280 | 47 | 35.5 | 52 | 38 | 16 | 280 | 235 | 40 | SN5650-PMO-0180-00-E1-G1-S1-V04 |
| 5° | E0 | G0 | S0 | 281 | 45 | 36.9 | 52 | 40 | 21 | 280 | 235 | 40 | SN5650-PMO-0180-05-E0-G0-S0-V04 |
| 5° | E0 | G0 | S1 | 281 | 45 | 36.9 | 52 | 40 | 21 | 280 | 235 | 40 | SN5650-PMO-0180-05-E0-G0-S1-V04 |
| 5° | E0 | G1 | S0 | 281 | 45 | 36.9 | 52 | 40 | 21 | 280 | 235 | 40 | SN5650-PMO-0180-05-E0-G1-S0-V04 |
| 5° | E0 | G1 | S1 | 281 | 45 | 36.9 | 52 | 40 | 21 | 280 | 235 | 40 | SN5650-PMO-0180-05-E0-G1-S1-V04 |
| 5° | E1 | G0 | S0 | 281 | 45 | 36.9 | 52 | 40 | 21 | 280 | 235 | 40 | SN5650-PMO-0180-05-E1-G0-S0-V04 |
| 5° | E1 | G0 | S1 | 281 | 45 | 36.9 | 52 | 40 | 21 | 280 | 235 | 40 | SN5650-PMO-0180-05-E1-G0-S1-V04 |
| 5° | E1 | G1 | S0 | 281 | 45 | 36.9 | 52 | 40 | 21 | 280 | 235 | 40 | SN5650-PMO-0180-05-E1-G1-S0-V04 |
| 5° | E1 | G1 | S1 | 281 | 45 | 36.9 | 52 | 40 | 21 | 280 | 235 | 40 | SN5650-PMO-0180-05-E1-G1-S1-V04 |
| 10° | E0 | G0 | S0 | 287 | 42 | 39.2 | 52 | 41.6 | 22 | 285 | 240 | 15 | SN5650-PMO-0180-10-E0-G0-S0-V04 |
| 10° | E0 | G0 | S1 | 287 | 42 | 39.2 | 52 | 41.6 | 22 | 285 | 240 | 15 | SN5650-PMO-0180-10-E0-G0-S1-V04 |
| 10° | E0 | G1 | S0 | 287 | 42 | 39.2 | 52 | 41.6 | 22 | 285 | 240 | 15 | SN5650-PMO-0180-10-E0-G1-S0-V04 |
| 10° | E0 | G1 | S1 | 287 | 42 | 39.2 | 52 | 41.6 | 22 | 285 | 240 | 15 | SN5650-PMO-0180-10-E0-G1-S1-V04 |
| 10° | E1 | G0 | S0 | 287 | 42 | 39.2 | 52 | 41.6 | 22 | 285 | 240 | 15 | SN5650-PMO-0180-10-E1-G0-S0-V04 |
| 10° | E1 | G0 | S1 | 287 | 42 | 39.2 | 52 | 41.6 | 22 | 285 | 240 | 15 | SN5650-PMO-0180-10-E1-G0-S1-V04 |
| 10° | E1 | G1 | S0 | 287 | 42 | 39.2 | 52 | 41.6 | 22 | 285 | 240 | 15 | SN5650-PMO-0180-10-E1-G1-S0-V04 |
| 10° | E1 | G1 | S1 | 287 | 42 | 39.2 | 52 | 41.6 | 22 | 285 | 240 | 15 | SN5650-PMO-0180-10-E1-G1-S1-V04 |
| 15° | E0 | G0 | S0 | 292 | 40 | 41.2 | 52 | 44.1 | 22 | 285 | 240 | 15 | SN5650-PMO-0180-15-E0-G0-S0-V04 |
| 15° | E0 | G0 | S1 | 292 | 40 | 41.2 | 52 | 44.1 | 22 | 285 | 240 | 15 | SN5650-PMO-0180-15-E0-G0-S1-V04 |
| 15° | E0 | G1 | S0 | 292 | 40 | 41.2 | 52 | 44.1 | 22 | 285 | 240 | 15 | SN5650-PMO-0180-15-E0-G1-S0-V04 |
| 15° | E0 | G1 | S1 | 292 | 40 | 41.2 | 52 | 44.1 | 22 | 285 | 240 | 15 | SN5650-PMO-0180-15-E0-G1-S1-V04 |
| 15° | E1 | G0 | S0 | 292 | 40 | 41.2 | 52 | 44.1 | 22 | 285 | 240 | 15 | SN5650-PMO-0180-15-E1-G0-S0-V04 |
| 15° | E1 | G0 | S1 | 292 | 40 | 41.2 | 52 | 44.1 | 22 | 285 | 240 | 15 | SN5650-PMO-0180-15-E1-G0-S1-V04 |
| 15° | E1 | G1 | S0 | 292 | 40 | 41.2 | 52 | 44.1 | 22 | 285 | 240 | 15 | SN5650-PMO-0180-15-E1-G1-S0-V04 |



| W | E | G | SE | L | W1 | s | S1 | S2 | Sz | L1 | L2 | L3 | No. |
|-----|----|----|----|-----|----|------|----|------|----|-----|-----|----|---------------------------------|
| 15° | E1 | G1 | S1 | 292 | 40 | 41.2 | 52 | 44.1 | 22 | 285 | 240 | 15 | SN5650-PMO-0180-15-E1-G1-S1-V04 |
| 20° | E0 | G0 | S0 | 295 | 37 | 44.2 | 52 | 46.4 | 27 | 295 | 195 | 25 | SN5650-PMO-0180-20-E0-G0-S0-V04 |
| 20° | E0 | G0 | S1 | 295 | 37 | 44.2 | 52 | 46.4 | 27 | 295 | 195 | 25 | SN5650-PMO-0180-20-E0-G0-S1-V04 |
| 20° | E0 | G1 | S0 | 295 | 37 | 44.2 | 52 | 46.4 | 27 | 295 | 195 | 25 | SN5650-PMO-0180-20-E0-G1-S0-V04 |
| 20° | E0 | G1 | S1 | 295 | 37 | 44.2 | 52 | 46.4 | 27 | 295 | 195 | 25 | SN5650-PMO-0180-20-E0-G1-S1-V04 |
| 20° | E1 | G0 | S0 | 295 | 37 | 44.2 | 52 | 46.4 | 27 | 295 | 195 | 25 | SN5650-PMO-0180-20-E1-G0-S0-V04 |
| 20° | E1 | G0 | S1 | 295 | 37 | 44.2 | 52 | 46.4 | 27 | 295 | 195 | 25 | SN5650-PMO-0180-20-E1-G0-S1-V04 |
| 20° | E1 | G1 | S0 | 295 | 37 | 44.2 | 52 | 46.4 | 27 | 295 | 195 | 25 | SN5650-PMO-0180-20-E1-G1-S0-V04 |
| 20° | E1 | G1 | S1 | 295 | 37 | 44.2 | 52 | 46.4 | 27 | 295 | 195 | 25 | SN5650-PMO-0180-20-E1-G1-S1-V04 |
| 25° | E0 | G0 | S0 | 295 | 35 | 47 | 52 | 49.7 | 32 | 295 | 195 | 25 | SN5650-PMO-0180-25-E0-G0-S0-V04 |
| 25° | E0 | G0 | S1 | 295 | 35 | 47 | 52 | 49.7 | 32 | 295 | 195 | 25 | SN5650-PMO-0180-25-E0-G0-S1-V04 |
| 25° | E0 | G1 | S0 | 295 | 35 | 47 | 52 | 49.7 | 32 | 295 | 195 | 25 | SN5650-PMO-0180-25-E0-G1-S0-V04 |
| 25° | E0 | G1 | S1 | 295 | 35 | 47 | 52 | 49.7 | 32 | 295 | 195 | 25 | SN5650-PMO-0180-25-E0-G1-S1-V04 |
| 25° | E1 | G0 | S0 | 295 | 35 | 47 | 52 | 49.7 | 32 | 295 | 195 | 25 | SN5650-PMO-0180-25-E1-G0-S0-V04 |
| 25° | E1 | G0 | S1 | 295 | 35 | 47 | 52 | 49.7 | 32 | 295 | 195 | 25 | SN5650-PMO-0180-25-E1-G0-S1-V04 |
| 25° | E1 | G1 | S0 | 295 | 35 | 47 | 52 | 49.7 | 32 | 295 | 195 | 25 | SN5650-PMO-0180-25-E1-G1-S0-V04 |
| 25° | E1 | G1 | S1 | 295 | 35 | 47 | 52 | 49.7 | 32 | 295 | 195 | 25 | SN5650-PMO-0180-25-E1-G1-S1-V04 |
| 30° | E0 | G0 | S0 | 310 | 32 | 50.9 | 52 | 53 | 37 | 310 | 170 | 30 | SN5650-PMO-0180-30-E0-G0-S0-V04 |
| 30° | E0 | G0 | S1 | 310 | 32 | 50.9 | 52 | 53 | 37 | 310 | 170 | 30 | SN5650-PMO-0180-30-E0-G0-S1-V04 |
| 30° | E0 | G1 | S0 | 310 | 32 | 50.9 | 52 | 53 | 37 | 310 | 170 | 30 | SN5650-PMO-0180-30-E0-G1-S0-V04 |
| 30° | E0 | G1 | S1 | 310 | 32 | 50.9 | 52 | 53 | 37 | 310 | 170 | 30 | SN5650-PMO-0180-30-E0-G1-S1-V04 |
| 30° | E1 | G0 | S0 | 310 | 32 | 50.9 | 52 | 53 | 37 | 310 | 170 | 30 | SN5650-PMO-0180-30-E1-G0-S0-V04 |
| 30° | E1 | G0 | S1 | 310 | 32 | 50.9 | 52 | 53 | 37 | 310 | 170 | 30 | SN5650-PMO-0180-30-E1-G0-S1-V04 |
| 30° | E1 | G1 | S0 | 310 | 32 | 50.9 | 52 | 53 | 37 | 310 | 170 | 30 | SN5650-PMO-0180-30-E1-G1-S0-V04 |
| 30° | E1 | G1 | S1 | 310 | 32 | 50.9 | 52 | 53 | 37 | 310 | 170 | 30 | SN5650-PMO-0180-30-E1-G1-S1-V04 |
| 35° | E0 | G0 | S0 | 310 | 30 | 49.7 | 47 | 52 | 37 | 310 | 170 | 30 | SN5650-PMO-0180-35-E0-G0-S0-V04 |
| 35° | E0 | G0 | S1 | 310 | 30 | 49.7 | 47 | 52 | 37 | 310 | 170 | 30 | SN5650-PMO-0180-35-E0-G0-S1-V04 |
| 35° | E0 | G1 | S0 | 310 | 30 | 49.7 | 47 | 52 | 37 | 310 | 170 | 30 | SN5650-PMO-0180-35-E0-G1-S0-V04 |
| 35° | E0 | G1 | S1 | 310 | 30 | 49.7 | 47 | 52 | 37 | 310 | 170 | 30 | SN5650-PMO-0180-35-E0-G1-S1-V04 |
| 35° | E1 | G0 | S0 | 310 | 30 | 49.7 | 47 | 52 | 37 | 310 | 170 | 30 | SN5650-PMO-0180-35-E1-G0-S0-V04 |
| 35° | E1 | G0 | S1 | 310 | 30 | 49.7 | 47 | 52 | 37 | 310 | 170 | 30 | SN5650-PMO-0180-35-E1-G0-S1-V04 |
| 35° | E1 | G1 | S0 | 310 | 30 | 49.7 | 47 | 52 | 37 | 310 | 170 | 30 | SN5650-PMO-0180-35-E1-G1-S0-V04 |
| 35° | E1 | G1 | S1 | 310 | 30 | 49.7 | 47 | 52 | 37 | 310 | 170 | 30 | SN5650-PMO-0180-35-E1-G1-S1-V04 |
| 40° | E0 | G0 | S0 | 315 | 27 | 54.7 | 47 | 56.5 | 37 | 315 | 162 | 15 | SN5650-PMO-0180-40-E0-G0-S0-V04 |
| 40° | E0 | G0 | S1 | 315 | 27 | 54.7 | 47 | 56.5 | 37 | 315 | 162 | 15 | SN5650-PMO-0180-40-E0-G0-S1-V04 |
| 40° | E0 | G1 | S0 | 315 | 27 | 54.7 | 47 | 56.5 | 37 | 315 | 162 | 15 | SN5650-PMO-0180-40-E0-G1-S0-V04 |
| 40° | E0 | G1 | S1 | 315 | 27 | 54.7 | 47 | 56.5 | 37 | 315 | 162 | 15 | SN5650-PMO-0180-40-E0-G1-S1-V04 |
| 40° | E1 | G0 | S0 | 315 | 27 | 54.7 | 47 | 56.5 | 37 | 315 | 162 | 15 | SN5650-PMO-0180-40-E1-G0-S0-V04 |
| 40° | E1 | G0 | S1 | 315 | 27 | 54.7 | 47 | 56.5 | 37 | 315 | 162 | 15 | SN5650-PMO-0180-40-E1-G0-S1-V04 |
| 40° | E1 | G1 | S0 | 315 | 27 | 54.7 | 47 | 56.5 | 37 | 315 | 162 | 15 | SN5650-PMO-0180-40-E1-G1-S0-V04 |
| 40° | E1 | G1 | S1 | 315 | 27 | 54.7 | 47 | 56.5 | 37 | 315 | 162 | 15 | SN5650-PMO-0180-40-E1-G1-S1-V04 |
| 45° | E0 | G0 | S0 | 315 | 25 | 60.2 | 47 | 62.5 | 42 | 315 | 162 | 15 | SN5650-PMO-0180-45-E0-G0-S0-V04 |
| 45° | E0 | G0 | S1 | 315 | 25 | 60.2 | 47 | 62.5 | 42 | 315 | 162 | 15 | SN5650-PMO-0180-45-E0-G0-S1-V04 |
| 45° | E0 | G1 | S0 | 315 | 25 | 60.2 | 47 | 62.5 | 42 | 315 | 162 | 15 | SN5650-PMO-0180-45-E0-G1-S0-V04 |
| 45° | E0 | G1 | S1 | 315 | 25 | 60.2 | 47 | 62.5 | 42 | 315 | 162 | 15 | SN5650-PMO-0180-45-E0-G1-S1-V04 |
| 45° | E1 | G0 | S0 | 315 | 25 | 60.2 | 47 | 62.5 | 42 | 315 | 162 | 15 | SN5650-PMO-0180-45-E1-G0-S0-V04 |
| 45° | E1 | G0 | S1 | 315 | 25 | 60.2 | 47 | 62.5 | 42 | 315 | 162 | 15 | SN5650-PMO-0180-45-E1-G0-S1-V04 |
| 45° | E1 | G1 | S0 | 315 | 25 | 60.2 | 47 | 62.5 | 42 | 315 | 162 | 15 | SN5650-PMO-0180-45-E1-G1-S0-V04 |
| 45° | E1 | G1 | S1 | 315 | 25 | 60.2 | 47 | 62.5 | 42 | 315 | 162 | 15 | SN5650-PMO-0180-45-E1-G1-S1-V04 |
| 50° | E0 | G0 | S0 | 320 | 22 | 67.8 | 47 | 69.5 | 47 | 320 | 147 | 5 | SN5650-PMO-0180-50-E0-G0-S0-V04 |
| 50° | E0 | G0 | S1 | 320 | 22 | 67.8 | 47 | 69.5 | 47 | 320 | 147 | 5 | SN5650-PMO-0180-50-E0-G0-S1-V04 |
| 50° | E0 | G1 | S0 | 320 | 22 | 67.8 | 47 | 69.5 | 47 | 320 | 147 | 5 | SN5650-PMO-0180-50-E0-G1-S0-V04 |
| 50° | E0 | G1 | S1 | 320 | 22 | 67.8 | 47 | 69.5 | 47 | 320 | 147 | 5 | SN5650-PMO-0180-50-E0-G1-S1-V04 |
| 50° | E1 | G0 | S0 | 320 | 22 | 67.8 | 47 | 69.5 | 47 | 320 | 147 | 5 | SN5650-PMO-0180-50-E1-G0-S0-V04 |
| 50° | E1 | G0 | S1 | 320 | 22 | 67.8 | 47 | 69.5 | 47 | 320 | 147 | 5 | SN5650-PMO-0180-50-E1-G0-S1-V04 |

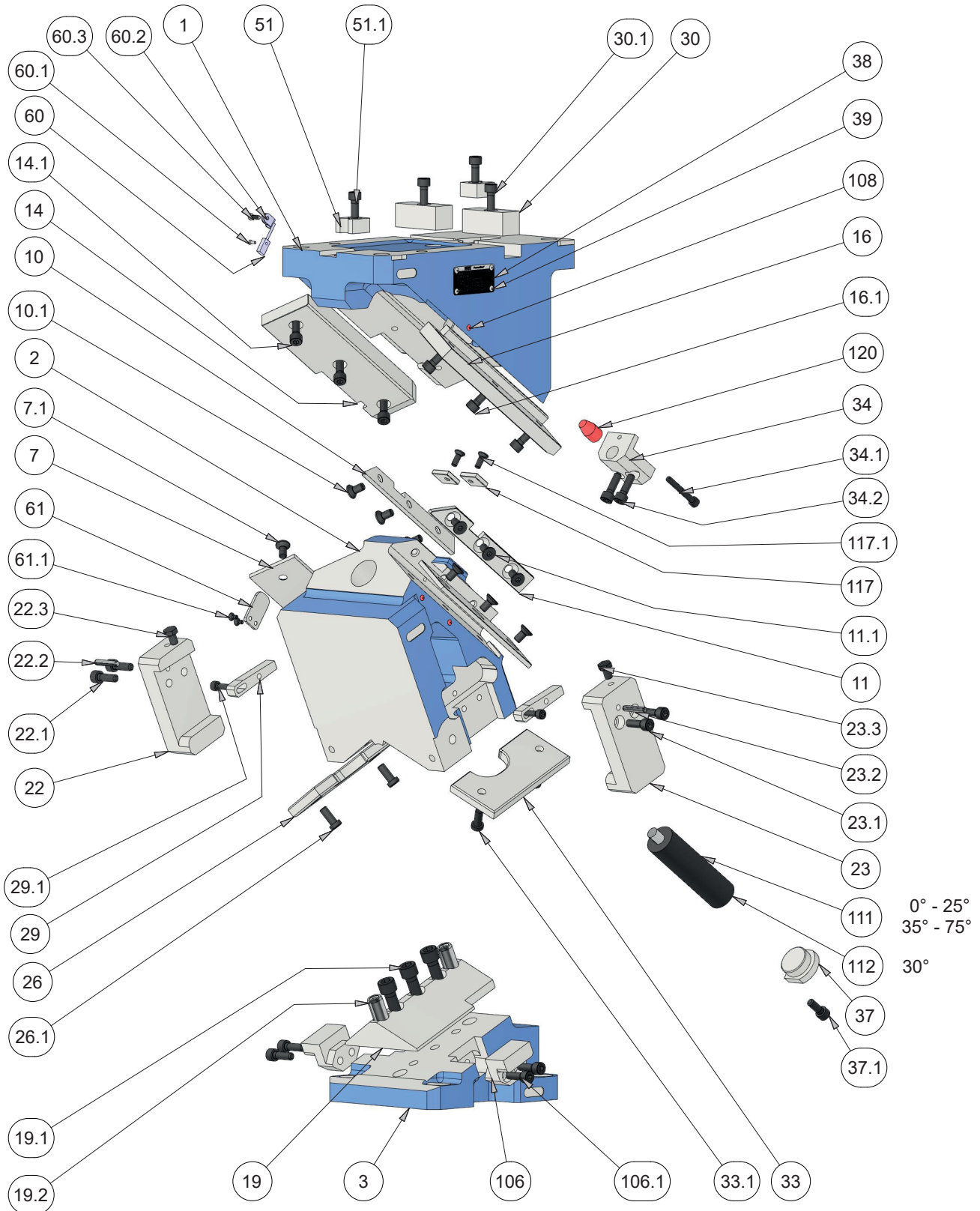
D 1801D 06.2022



| W | E | G | SE | L | W1 | s | S1 | S2 | Sz | L1 | L2 | L3 | No. |
|-----|----|----|----|-----|----|------|----|------|----|-----|-----|----|---------------------------------|
| 50° | E1 | G1 | S0 | 320 | 22 | 67.8 | 47 | 69.5 | 47 | 320 | 147 | 5 | SN5650-PMO-0180-50-E1-G1-S0-V04 |
| 50° | E1 | G1 | S1 | 320 | 22 | 67.8 | 47 | 69.5 | 47 | 320 | 147 | 5 | SN5650-PMO-0180-50-E1-G1-S1-V04 |
| 55° | E0 | G0 | S0 | 320 | 20 | 68.8 | 42 | 70.7 | 47 | 320 | 147 | 5 | SN5650-PMO-0180-55-E0-G0-S0-V04 |
| 55° | E0 | G0 | S1 | 320 | 20 | 68.8 | 42 | 70.7 | 47 | 320 | 147 | 5 | SN5650-PMO-0180-55-E0-G0-S1-V04 |
| 55° | E0 | G1 | S0 | 320 | 20 | 68.8 | 42 | 70.7 | 47 | 320 | 147 | 5 | SN5650-PMO-0180-55-E0-G1-S0-V04 |
| 55° | E0 | G1 | S1 | 320 | 20 | 68.8 | 42 | 70.7 | 47 | 320 | 147 | 5 | SN5650-PMO-0180-55-E0-G1-S1-V04 |
| 55° | E1 | G0 | S0 | 320 | 20 | 68.8 | 42 | 70.7 | 47 | 320 | 147 | 5 | SN5650-PMO-0180-55-E1-G0-S0-V04 |
| 55° | E1 | G0 | S1 | 320 | 20 | 68.8 | 42 | 70.7 | 47 | 320 | 147 | 5 | SN5650-PMO-0180-55-E1-G0-S1-V04 |
| 55° | E1 | G1 | S0 | 320 | 20 | 68.8 | 42 | 70.7 | 47 | 320 | 147 | 5 | SN5650-PMO-0180-55-E1-G1-S0-V04 |
| 55° | E1 | G1 | S1 | 320 | 20 | 68.8 | 42 | 70.7 | 47 | 320 | 147 | 5 | SN5650-PMO-0180-55-E1-G1-S1-V04 |
| 60° | E0 | G0 | S0 | 325 | 17 | 70.8 | 37 | 72.1 | 24 | 325 | 127 | 5 | SN5650-PMO-0180-60-E0-G0-S0-V04 |
| 60° | E0 | G0 | S1 | 325 | 17 | 70.8 | 37 | 72.1 | 24 | 325 | 127 | 5 | SN5650-PMO-0180-60-E0-G0-S1-V04 |
| 60° | E0 | G1 | S0 | 325 | 17 | 70.8 | 37 | 72.1 | 24 | 325 | 127 | 5 | SN5650-PMO-0180-60-E0-G1-S0-V04 |
| 60° | E0 | G1 | S1 | 325 | 17 | 70.8 | 37 | 72.1 | 24 | 325 | 127 | 5 | SN5650-PMO-0180-60-E0-G1-S1-V04 |
| 60° | E1 | G0 | S0 | 325 | 17 | 70.8 | 37 | 72.1 | 24 | 325 | 127 | 5 | SN5650-PMO-0180-60-E1-G0-S0-V04 |
| 60° | E1 | G0 | S1 | 325 | 17 | 70.8 | 37 | 72.1 | 24 | 325 | 127 | 5 | SN5650-PMO-0180-60-E1-G0-S1-V04 |
| 60° | E1 | G1 | S0 | 325 | 17 | 70.8 | 37 | 72.1 | 24 | 325 | 127 | 5 | SN5650-PMO-0180-60-E1-G1-S0-V04 |
| 60° | E1 | G1 | S1 | 325 | 17 | 70.8 | 37 | 72.1 | 24 | 325 | 127 | 5 | SN5650-PMO-0180-60-E1-G1-S1-V04 |
| 65° | E0 | G0 | S0 | 325 | 15 | 73.1 | 32 | 74.6 | 24 | 325 | 127 | 5 | SN5650-PMO-0180-65-E0-G0-S0-V04 |
| 65° | E0 | G0 | S1 | 325 | 15 | 73.1 | 32 | 74.6 | 24 | 325 | 127 | 5 | SN5650-PMO-0180-65-E0-G0-S1-V04 |
| 65° | E0 | G1 | S0 | 325 | 15 | 73.1 | 32 | 74.6 | 24 | 325 | 127 | 5 | SN5650-PMO-0180-65-E0-G1-S0-V04 |
| 65° | E0 | G1 | S1 | 325 | 15 | 73.1 | 32 | 74.6 | 24 | 325 | 127 | 5 | SN5650-PMO-0180-65-E0-G1-S1-V04 |
| 65° | E1 | G0 | S0 | 325 | 15 | 73.1 | 32 | 74.6 | 24 | 325 | 127 | 5 | SN5650-PMO-0180-65-E1-G0-S0-V04 |
| 65° | E1 | G0 | S1 | 325 | 15 | 73.1 | 32 | 74.6 | 24 | 325 | 127 | 5 | SN5650-PMO-0180-65-E1-G0-S1-V04 |
| 65° | E1 | G1 | S0 | 325 | 15 | 73.1 | 32 | 74.6 | 24 | 325 | 127 | 5 | SN5650-PMO-0180-65-E1-G1-S0-V04 |
| 65° | E1 | G1 | S1 | 325 | 15 | 73.1 | 32 | 74.6 | 24 | 325 | 127 | 5 | SN5650-PMO-0180-65-E1-G1-S1-V04 |
| 70° | E0 | G0 | S0 | 340 | 12 | 77.2 | 27 | 78.2 | 52 | 330 | 113 | 10 | SN5650-PMO-0180-70-E0-G0-S0-V04 |
| 70° | E0 | G0 | S1 | 340 | 12 | 77.2 | 27 | 78.2 | 52 | 330 | 113 | 10 | SN5650-PMO-0180-70-E0-G0-S1-V04 |
| 70° | E0 | G1 | S0 | 340 | 12 | 77.2 | 27 | 78.2 | 52 | 330 | 113 | 10 | SN5650-PMO-0180-70-E0-G1-S0-V04 |
| 70° | E0 | G1 | S1 | 340 | 12 | 77.2 | 27 | 78.2 | 52 | 330 | 113 | 10 | SN5650-PMO-0180-70-E0-G1-S1-V04 |
| 70° | E1 | G0 | S0 | 340 | 12 | 77.2 | 27 | 78.2 | 52 | 330 | 113 | 10 | SN5650-PMO-0180-70-E1-G0-S0-V04 |
| 70° | E1 | G0 | S1 | 340 | 12 | 77.2 | 27 | 78.2 | 52 | 330 | 113 | 10 | SN5650-PMO-0180-70-E1-G0-S1-V04 |
| 70° | E1 | G1 | S0 | 340 | 12 | 77.2 | 27 | 78.2 | 52 | 330 | 113 | 10 | SN5650-PMO-0180-70-E1-G1-S0-V04 |
| 70° | E1 | G1 | S1 | 340 | 12 | 77.2 | 27 | 78.2 | 52 | 330 | 113 | 10 | SN5650-PMO-0180-70-E1-G1-S1-V04 |
| 75° | E0 | G0 | S0 | 340 | 10 | 83.7 | 22 | 84.7 | 48 | 330 | 113 | 10 | SN5650-PMO-0180-75-E0-G0-S0-V04 |
| 75° | E0 | G0 | S1 | 340 | 10 | 83.7 | 22 | 84.7 | 48 | 330 | 113 | 10 | SN5650-PMO-0180-75-E0-G0-S1-V04 |
| 75° | E0 | G1 | S0 | 340 | 10 | 83.7 | 22 | 84.7 | 48 | 330 | 113 | 10 | SN5650-PMO-0180-75-E0-G1-S0-V04 |
| 75° | E0 | G1 | S1 | 340 | 10 | 83.7 | 22 | 84.7 | 48 | 330 | 113 | 10 | SN5650-PMO-0180-75-E0-G1-S1-V04 |
| 75° | E1 | G0 | S0 | 340 | 10 | 83.7 | 22 | 84.7 | 48 | 330 | 113 | 10 | SN5650-PMO-0180-75-E1-G0-S0-V04 |
| 75° | E1 | G0 | S1 | 340 | 10 | 83.7 | 22 | 84.7 | 48 | 330 | 113 | 10 | SN5650-PMO-0180-75-E1-G0-S1-V04 |
| 75° | E1 | G1 | S0 | 340 | 10 | 83.7 | 22 | 84.7 | 48 | 330 | 113 | 10 | SN5650-PMO-0180-75-E1-G1-S0-V04 |
| 75° | E1 | G1 | S1 | 340 | 10 | 83.7 | 22 | 84.7 | 48 | 330 | 113 | 10 | SN5650-PMO-0180-75-E1-G1-S1-V04 |

SN5650-PMO-0180-

Bauteile Components



Ersatzteilstückliste je Schieber unter www.strack.de

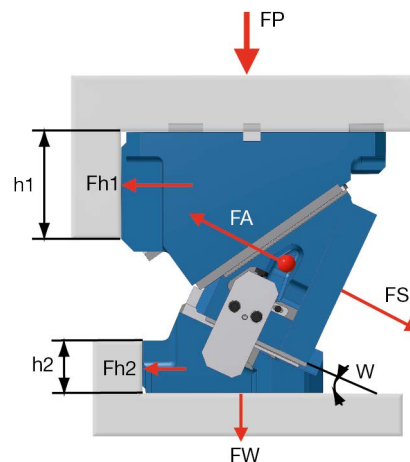
Sparepart lists under www.strack.de

SN5650-PMO-0180-

Kraftverteilung

Force Distribution

| W | FS [kN] | FP [kN] | Fh1 [kN] | FW [kN] | Fh2 [kN] | h1 [mm] | h2 [mm] | FA [kN] |
|-----|---------|---------|----------|---------|----------|---------|---------|---------|
| 00° | 411 | 386 | 411 | 386 | 0 | 160 | 40 | 41 |
| 05° | 435 | 193 | 206 | 371 | 31 | 150 | 50 | 46 |
| 10° | 459 | 435 | 389 | 356 | 63 | 140 | 60 | 51 |
| 15° | 474 | 218 | 195 | 328 | 86 | 133 | 68 | 52 |
| 20° | 489 | 468 | 350 | 301 | 109 | 125 | 75 | 54 |
| 25° | 507 | 234 | 175 | 272 | 125 | 120 | 75 | 54 |
| 30° | 525 | 506 | 314 | 243 | 140 | 115 | 75 | 55 |
| 35° | 548 | 253 | 157 | 215 | 149 | 108 | 76 | 54 |
| 40° | 571 | 554 | 281 | 187 | 157 | 100 | 76 | 53 |
| 45° | 581 | 277 | 140 | 156 | 152 | 88 | 88 | 52 |
| 50° | 590 | 576 | 231 | 124 | 148 | 75 | 99 | 53 |
| 55° | 607 | 288 | 116 | 98 | 137 | 73 | 112 | 53 |
| 60° | 623 | 612 | 186 | 73 | 126 | 70 | 125 | 53 |
| 65° | 629 | 617 | 164 | 47 | 102 | 70 | 120 | 53 |
| 70° | 651 | 309 | 82 | 31 | 80 | 65 | 128 | 53 |
| 75° | 673 | 666 | 116 | 16 | 58 | 60 | 135 | 52 |



W = Schieberwinkel
FP = P-Press
FW = W-Werkzeug
FS = S-Schieberkraft
FA = A-Abstreifkraft
Fh1 = h1-Abschulterung oben
Fh2 = h2-Abschulterung unten

W = Cam Angle
FP = P-Press
FW = W-Tool
FS = S-Cam Force
FA = A-Retractility
Fh1 = h1-Shouldering above
Fh2 = h2-Shouldering below

SN5650-PMO-0180-

Schieberkräfte

Cam Force

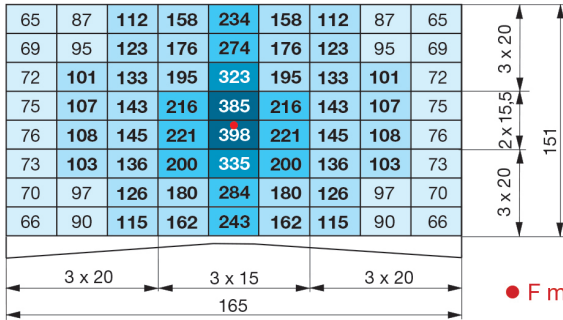
Abschulterung

Shouldering

Passfeder

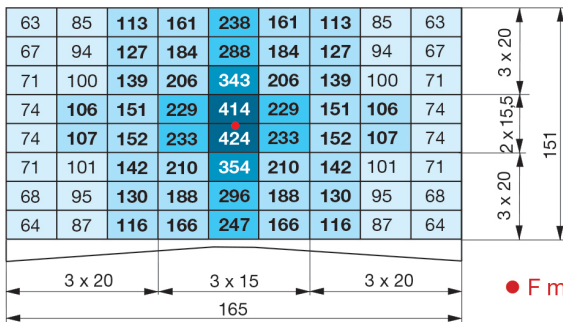
Fitting Key

SN5650-PMO-0180-0°



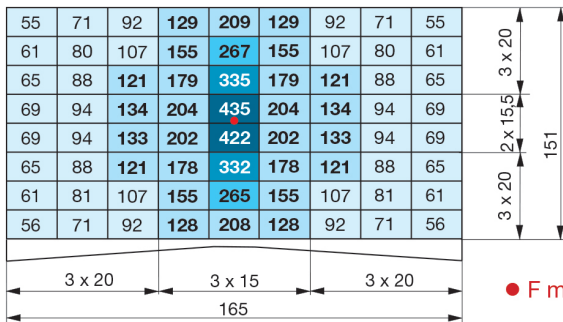
| | | | | | | | | |
|----|----|----|----|----|----|----|----|----|
| 53 | 53 | 61 | 66 | 72 | 66 | 61 | 53 | 53 |
| 53 | 61 | 66 | 72 | 78 | 72 | 66 | 61 | 53 |
| 53 | 61 | 66 | 72 | 78 | 72 | 66 | 61 | 53 |
| 53 | 61 | 66 | 72 | 78 | 72 | 66 | 61 | 53 |
| 53 | 61 | 66 | 72 | 78 | 72 | 66 | 61 | 53 |
| 53 | 61 | 66 | 72 | 78 | 72 | 66 | 61 | 53 |
| 53 | 61 | 66 | 72 | 78 | 72 | 66 | 61 | 53 |
| 53 | 61 | 66 | 72 | 78 | 72 | 66 | 61 | 53 |
| 53 | 61 | 66 | 72 | 78 | 72 | 66 | 61 | 53 |
| 53 | 61 | 66 | 72 | 78 | 72 | 66 | 61 | 53 |

SN5650-PMO-0180-10°



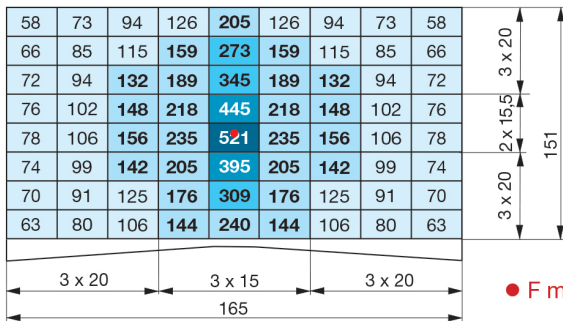
| | | | | | | | | |
|----|----|----|----|----|----|----|----|----|
| 59 | 59 | 69 | 78 | 85 | 78 | 69 | 59 | 59 |
| 59 | 69 | 78 | 85 | 92 | 85 | 78 | 69 | 59 |
| 59 | 69 | 78 | 85 | 92 | 85 | 78 | 69 | 59 |
| 59 | 69 | 78 | 85 | 92 | 85 | 78 | 69 | 59 |
| 59 | 69 | 78 | 85 | 92 | 85 | 78 | 69 | 59 |
| 59 | 69 | 78 | 85 | 92 | 85 | 78 | 69 | 59 |
| 59 | 69 | 78 | 85 | 92 | 85 | 78 | 69 | 59 |
| 59 | 69 | 78 | 85 | 92 | 85 | 78 | 69 | 59 |
| 59 | 69 | 78 | 85 | 92 | 85 | 78 | 69 | 59 |
| 59 | 69 | 78 | 85 | 92 | 85 | 78 | 69 | 59 |

SN5650-PMO-0180-20°



| | | | | | | | | |
|----|----|----|----|-----|----|----|----|----|
| 55 | 55 | 71 | 87 | 98 | 87 | 71 | 55 | 55 |
| 61 | 75 | 87 | 97 | 109 | 97 | 87 | 75 | 61 |
| 64 | 75 | 87 | 97 | 109 | 97 | 87 | 75 | 64 |
| 64 | 75 | 87 | 97 | 109 | 97 | 87 | 75 | 64 |
| 64 | 75 | 87 | 97 | 109 | 97 | 87 | 75 | 64 |
| 64 | 75 | 87 | 97 | 109 | 97 | 87 | 75 | 64 |
| 61 | 75 | 87 | 97 | 109 | 97 | 87 | 75 | 61 |
| 56 | 71 | 87 | 98 | 109 | 98 | 87 | 71 | 56 |

SN5650-PMO-0180-30°



| | | | | | | | | |
|----|----|-----|-----|-----|-----|-----|----|----|
| 58 | 58 | 73 | 94 | 117 | 94 | 73 | 58 | 58 |
| 66 | 85 | 103 | 116 | 131 | 116 | 103 | 85 | 66 |
| 72 | 87 | 103 | 116 | 131 | 116 | 103 | 87 | 72 |
| 74 | 87 | 103 | 116 | 131 | 116 | 103 | 87 | 74 |
| 74 | 87 | 103 | 116 | 131 | 116 | 103 | 87 | 74 |
| 74 | 87 | 103 | 116 | 131 | 116 | 103 | 87 | 74 |
| 70 | 87 | 103 | 116 | 131 | 116 | 103 | 87 | 70 |
| 63 | 80 | 103 | 117 | 131 | 117 | 103 | 80 | 63 |

SN5650-PMO-0180-

Schieberkräfte

Cam Force

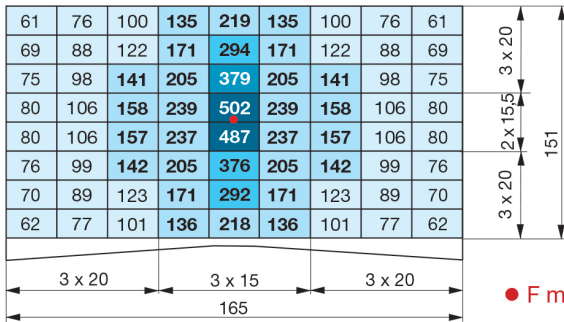
Abschulterung

Shouldering

Passfeder

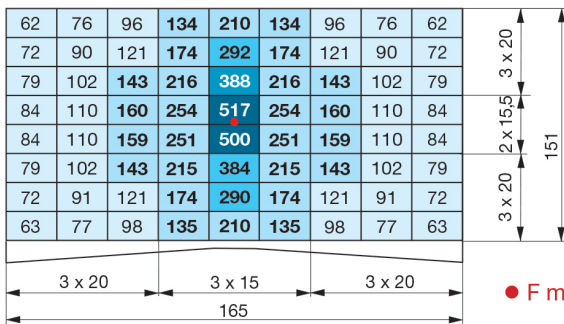
Fitting Key

SN5650-PMO-0180-40°



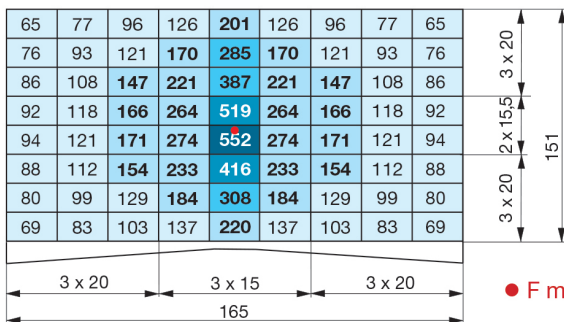
| | | | | | | | | |
|----|-----|-----|-----|-----|-----|-----|-----|----|
| 61 | 61 | 76 | 100 | 135 | 100 | 76 | 61 | 61 |
| 69 | 88 | 122 | 142 | 160 | 142 | 122 | 88 | 69 |
| 75 | 98 | 122 | 141 | 160 | 141 | 122 | 98 | 75 |
| 80 | 101 | 122 | 141 | 160 | 141 | 122 | 101 | 80 |
| 80 | 101 | 122 | 141 | 160 | 141 | 122 | 101 | 80 |
| 76 | 99 | 122 | 141 | 160 | 141 | 122 | 99 | 76 |
| 70 | 89 | 122 | 142 | 160 | 142 | 122 | 89 | 70 |
| 62 | 77 | 101 | 136 | 160 | 136 | 101 | 77 | 62 |

SN5650-PMO-0180-50°



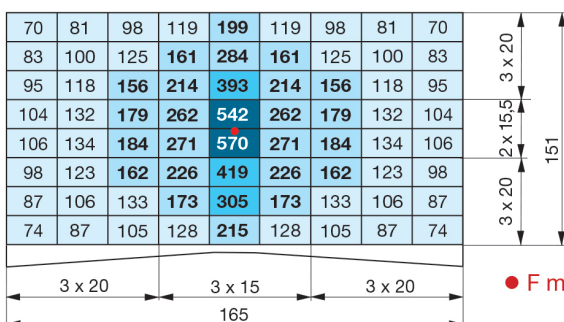
| | | | | | | | | |
|----|-----|-----|-----|-----|-----|-----|-----|----|
| 62 | 62 | 76 | 96 | 134 | 96 | 76 | 62 | 62 |
| 72 | 90 | 121 | 174 | 202 | 174 | 121 | 90 | 72 |
| 79 | 102 | 143 | 177 | 202 | 177 | 143 | 102 | 79 |
| 84 | 110 | 147 | 177 | 202 | 177 | 147 | 110 | 84 |
| 84 | 110 | 147 | 177 | 202 | 177 | 147 | 110 | 84 |
| 79 | 102 | 143 | 177 | 202 | 177 | 143 | 102 | 79 |
| 72 | 91 | 121 | 174 | 202 | 174 | 121 | 91 | 72 |
| 63 | 77 | 98 | 135 | 202 | 135 | 98 | 77 | 63 |

SN5650-PMO-0180-60°



| | | | | | | | | |
|----|-----|-----|-----|-----|-----|-----|-----|----|
| 65 | 65 | 77 | 96 | 126 | 96 | 77 | 65 | 65 |
| 76 | 93 | 121 | 170 | 265 | 170 | 121 | 93 | 76 |
| 86 | 108 | 147 | 221 | 265 | 221 | 147 | 108 | 86 |
| 92 | 118 | 166 | 233 | 265 | 233 | 166 | 118 | 92 |
| 94 | 121 | 171 | 233 | 265 | 233 | 171 | 121 | 94 |
| 88 | 112 | 154 | 233 | 265 | 233 | 154 | 112 | 88 |
| 80 | 99 | 129 | 184 | 265 | 184 | 129 | 99 | 80 |
| 69 | 83 | 103 | 137 | 220 | 137 | 103 | 83 | 69 |

SN5650-PMO-0180-70°



| | | | | | | | | |
|-----|-----|-----|-----|-----|-----|-----|-----|-----|
| 70 | 70 | 81 | 98 | 119 | 98 | 81 | 70 | 70 |
| 83 | 100 | 125 | 161 | 284 | 161 | 125 | 100 | 83 |
| 95 | 118 | 156 | 214 | 353 | 214 | 156 | 118 | 95 |
| 104 | 132 | 179 | 262 | 381 | 262 | 179 | 132 | 104 |
| 106 | 134 | 184 | 269 | 381 | 269 | 184 | 134 | 106 |
| 98 | 123 | 162 | 226 | 364 | 226 | 162 | 123 | 98 |
| 87 | 106 | 133 | 173 | 305 | 173 | 133 | 106 | 87 |
| 74 | 87 | 105 | 128 | 215 | 128 | 105 | 87 | 74 |