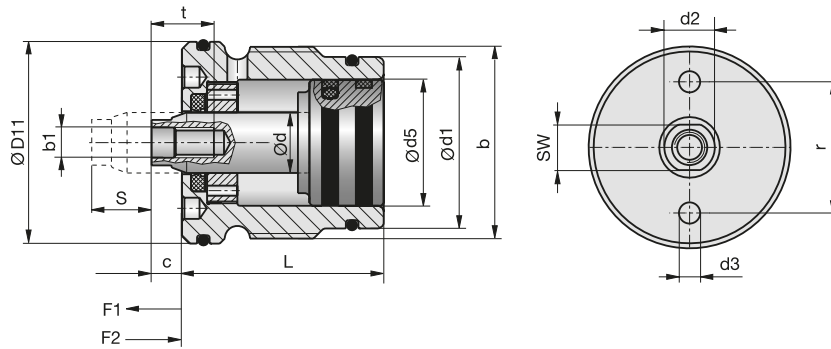




Z5102
Short-stroke cylinder



T: <math>< 100\text{ }^{\circ}\text{C}</math>

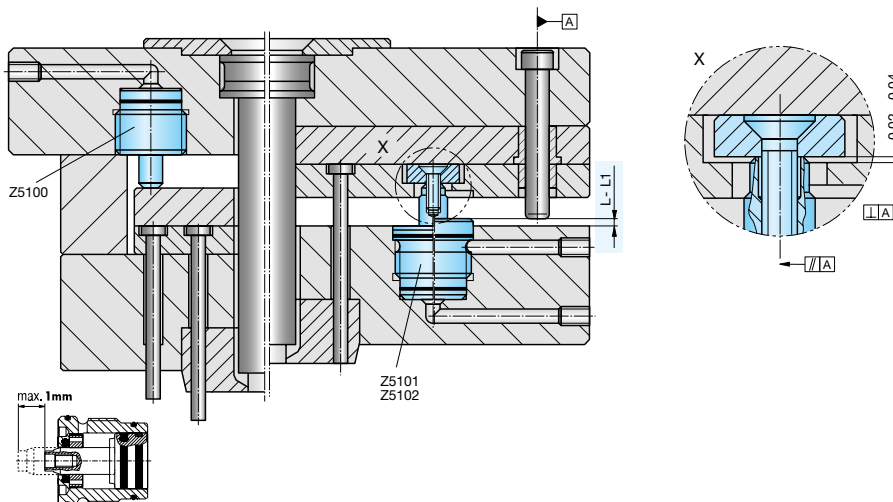
double-acting

d	S max	b	b1	c	d1	d2	d3	d5	D11	L	r	t	SW	F1	F2	Order No.
8	6	M26x1	M5	5	24	7	3	18	27.0	33	21	12	6	5 kN	3.4 kN	Z5102-8-6
8	12	M26x1	M5	5	24	7	3	18	27.0	39	21	15	6	5 kN	3.4 kN	Z5102-8-12
12	12	M38x1	M6	6	34	10	4	25	40.0	40	26	15	9	10 kN	8 kN	Z5102-12-12
12	24	M38x1	M6	6	34	10	4	25	40.0	52	26	15	9	10 kN	8 kN	Z5102-12-24
16	24	M50x1	M8	6	46	14	4	35	52.0	55	38	20	12	20 kN	16 kN	Z5102-16-24
16	36	M50x1	M8	6	46	14	4	35	52.0	67	38	20	12	20 kN	16 kN	Z5102-16-36

Installation and assembly instructions for short-stroke cylinders Z5100 up to Z5102

Important!

- Short-stroke cylinders must only be loaded axially!
- All bores and feed lines must be free of metal particles and other impurities.
- If metal particles do remain in the bores and the cylinders develop a leak, the hydraulic fluid feed line must be cleaned as far as the filter of the injection moulding machine.
- The parts moved by the cylinders (split moulds, plates, etc.) must also be guided otherwise the seals in the cylinders may be damaged.
- The maximum mould temperature must not exceed 100 °C or 180 °C (see type).
- Piston rod and housing hardened and ground.
- Easy assembly: screwed in by means of a face spanner.

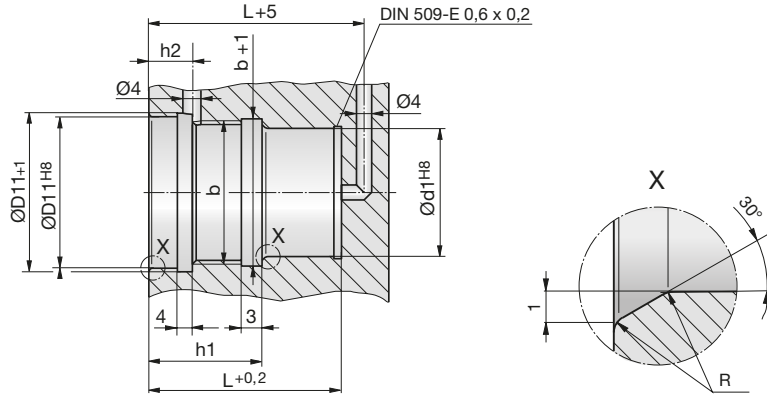


Important: Provide stroke limit in the tool, max. stroke -1mm



Z5102

Short-stroke cylinder



Important: Provide stroke limit in the tool, max. stroke -1mm