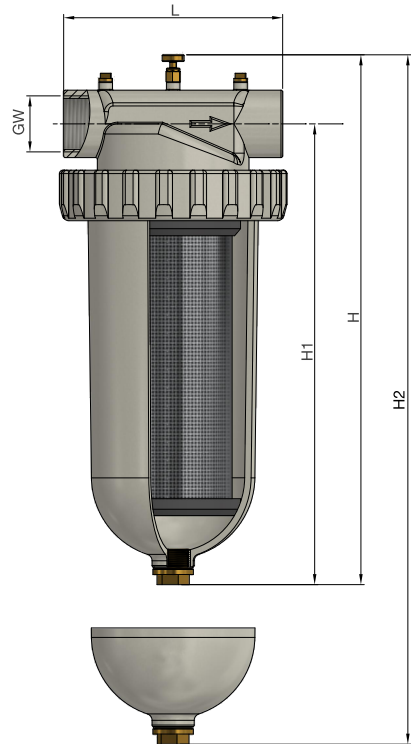




Z77100

Wasserfilter

Water filter



Druckverlust 0.1 bar
MW = Maschenweite
Filtereinsatz

Pressure loss 0.1
bar
MW = Mesh size
of filter insert



Type	MW	GW	DN	L	H	H1	H2	kg	l/min	Order No.
1	100	Rp 1"	25	124	324	283	535	5	100	Z77100-1-100
1	200	Rp 1"	25	124	324	283	535	5	100	Z77100-1-200
2	100	Rp 1 1/4"	32	135	324	283	535	5	120	Z77100-2-100
2	200	Rp 1 1/4"	32	135	324	283	535	5	120	Z77100-2-200
3	100	Rp 1 1/2"	40	150	338	293	555	5.5	150	Z77100-3-100
3	200	Rp 1 1/2"	40	150	338	293	555	5.5	150	Z77100-3-200
4	100	Rp 2"	50	160	351	299	575	6.1	185	Z77100-4-100
4	200	Rp 2"	50	160	351	299	575	6.1	185	Z77100-4-200